

SPECIFICATIONS

GRAPHIC PANEL SIZES

FINISHED GRAPHIC PANEL SIZE

2100 x 800mm

VISUAL GRAPHIC AREA

2072 x 800mm (Gripper rail hides 14mm at the top and the bottom)

MAXIMUM FINISHED GRAPHIC PANEL THICKNESS

500 micron

SYSTEM SIZES

BOXED SIZE

850(l) x 105(w) x 105(d)mm

BOXED WEIGHT

2.3kg

ASSEMBLED SIZE

815(w) x 275(d) x 2155(h)mm

COMPONENT LIST

3 part telescopic pole

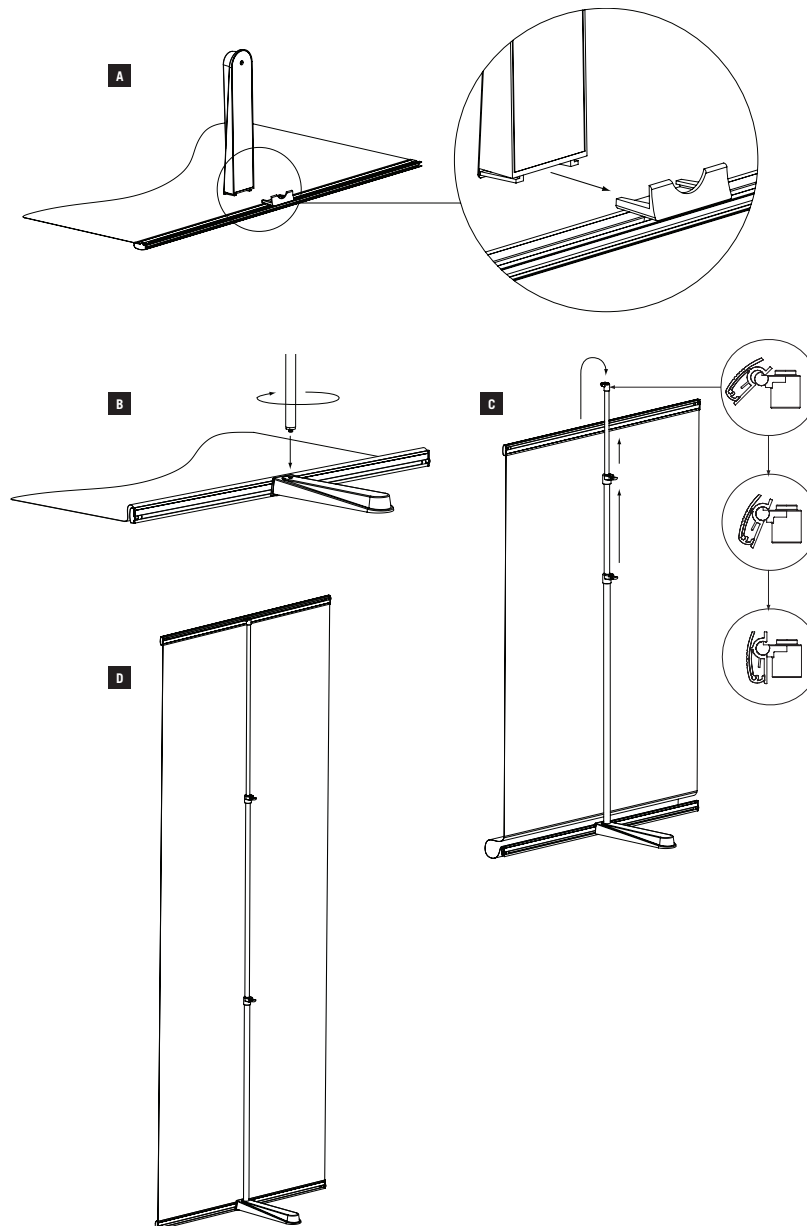
Top gripper rail

Bottom gripper rail foot

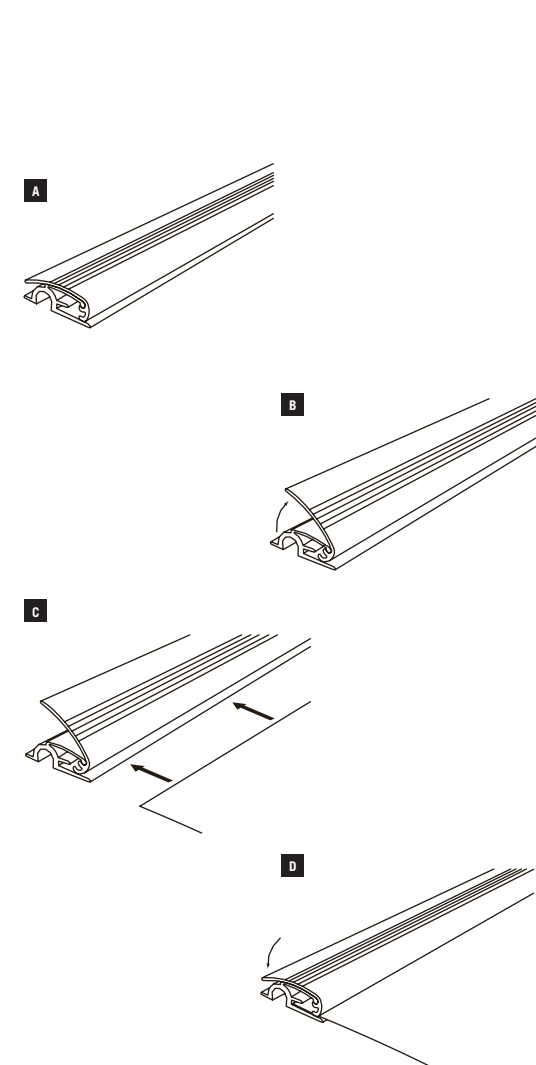
Drawstring bag

Carry box

COBRA BANNER STAND ASSEMBLY INSTRUCTIONS



GRAPHIC ATTACHMENT



plex®